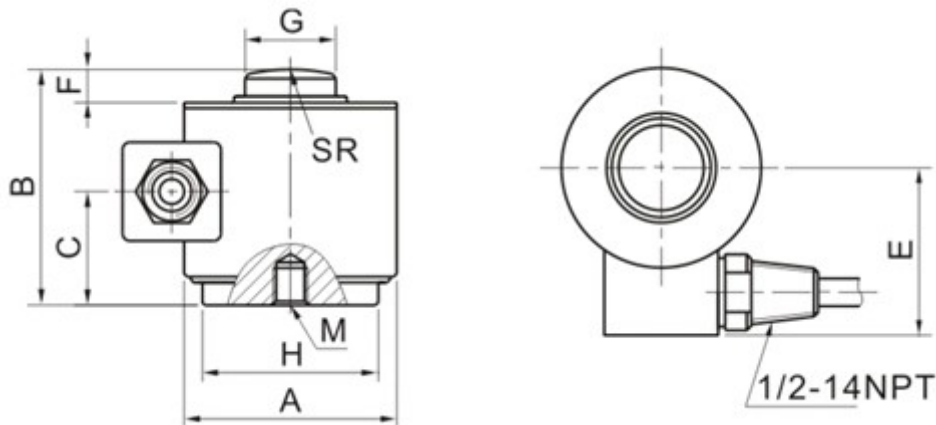


## JCM9000 Compression Load Cells



Range	A	B	C	E	F	G	H	SR	Swivel top cap	Overall Height
10 Tonne	75.0	83.0	32.5	64.0	10.0	31.8	62.0	125.0	18.1	101.1
50 Tonne	100.6	127.0	54.6	86.0	14.0	59.0	88.6	152.0	45.0	183.0

ALL DIMENSIONS IN MM

JCM's policy is one of continuous development and these specifications are subject to change without notice