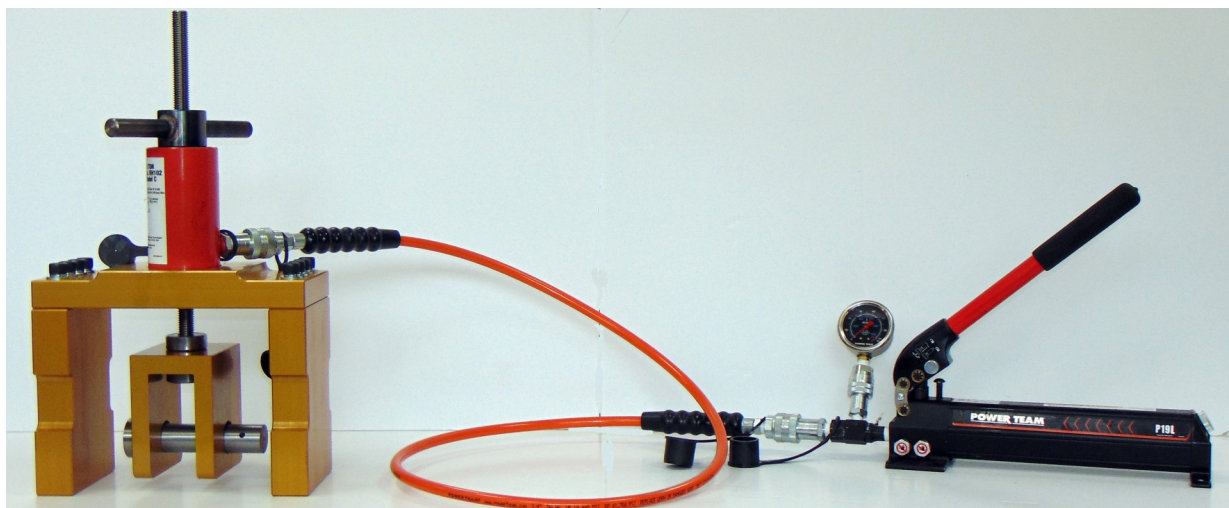
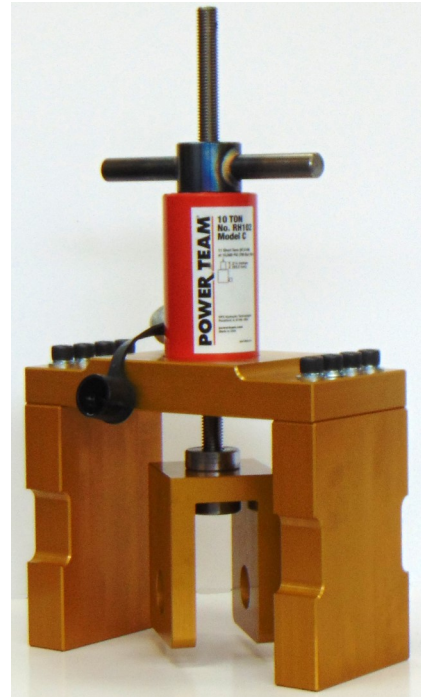
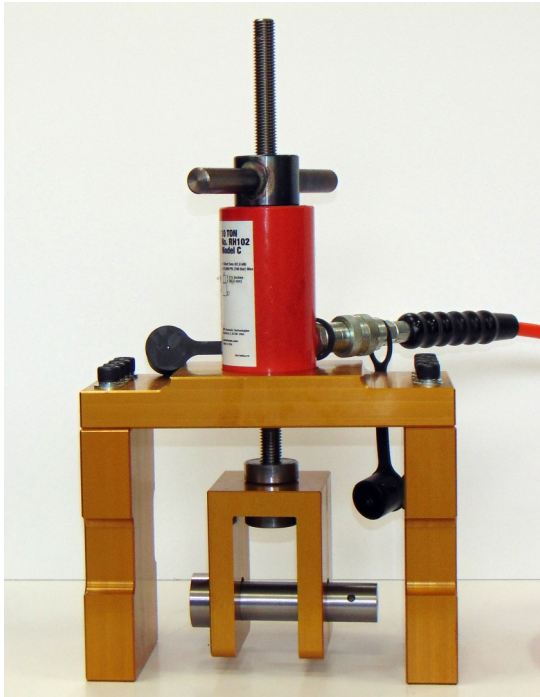


10 TONNE PAD EYE TESTER



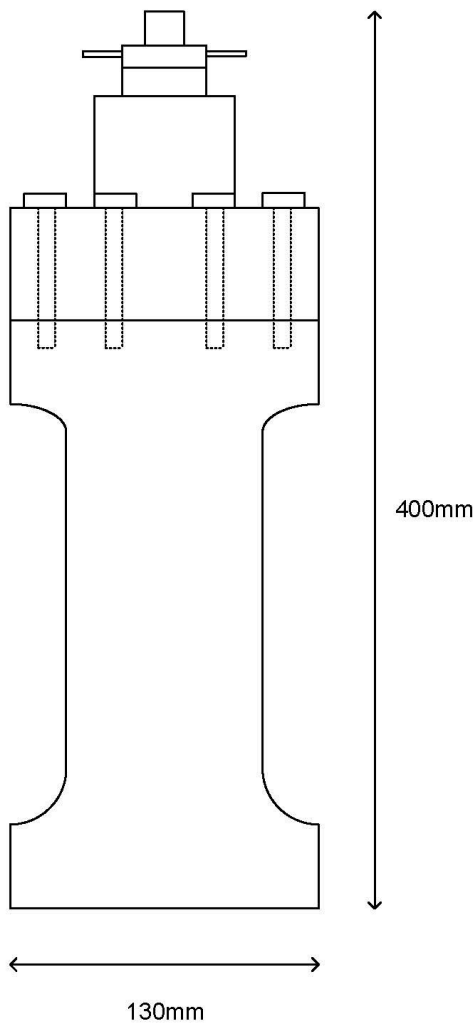
Following on from the success of our 25 Tonne pad eye tester we decided to design and build a 10 Tonne pad eye tester.

At 18 kgs and a one piece unit this pad eye tester has been designed to be light to also enable testing of pad eyes over head.

The system has a pin for each of the Pad Eye sizes, which the capacities stamped on the head of the pin, the full range of pin sizes are 1te, 1.5te, 2te, 3.25te, 4.75te, 6.5te, 8.5te, 9.5te

10 TONNE PAD EYE TESTER

10Te Pad-eye tester
Side view
Weight: 16Kg,s



10Te Pad-eye tester
Front view
Weight: 16Kg,s

